

For reference only. See data sheet for the detailed specifications.

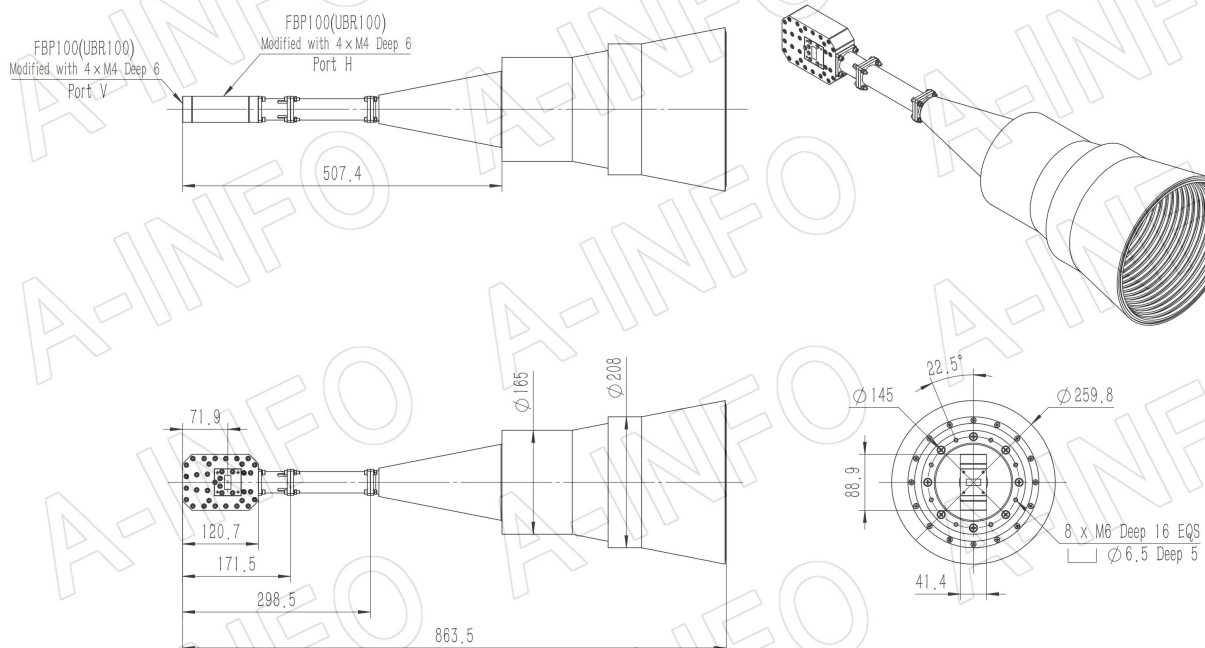
## Technical Specification



Frequency Range(GHz)	8.2 – 12.4
Waveguide	WR90
Gain(dBic)	25 Typ.
Polarization	Dual Circular
Axial Ratio(dB)	2.0 Typ. ; 4.0 Max.
3dB Beamwidth(deg)	E Plane: 10 Typ.
	H Plane: 10 Typ.
Port to Port Isolation(dB)	25 Typ. ; 15 Min.
VSWR	A Type: 1.40:1 Typ.
	C Type: 1.50:1 Typ.
Output	A Type: FBP100(UBR100)
	C Type: SMA-Female or N-Female or TNC-Female or 7mm or 3.5mm-Female
Material	Al
Finish	Silver Plated and Chemical Conversion Coating, Gray Paint
Size(mm)	A Type: 259.8 x 259.8 x 863.5
	C Type: 259.8 x 259.8 x 901.5
Net Weight(Kg)	A Type: 7.32 Around
	C Type: 7.45 Around

## Outline Drawing (Size: mm)

FBP100 Output (P/N: LB-CH-90-25-D02-A)



**AINFO Inc.**

China(Beijing):  
China(Chengdu):  
USA :

Tel: (+86) 10-6266-7326,  
Tel: (+86) 28-8519-2786,  
Tel: (+1) 949-639-9688,

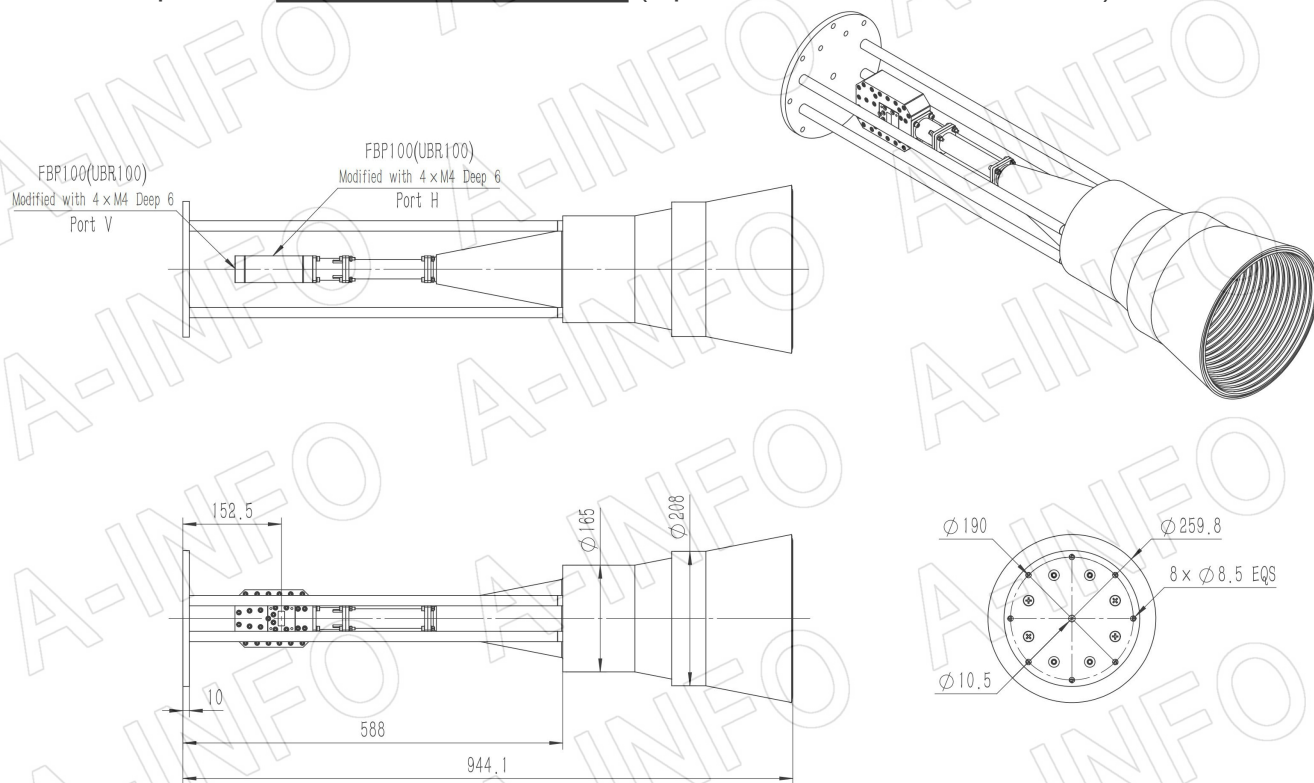
(+86) 10-6266-7327  
(+86) 28-8519-3044  
(+1) 949-639-9608

Page 1 of 13

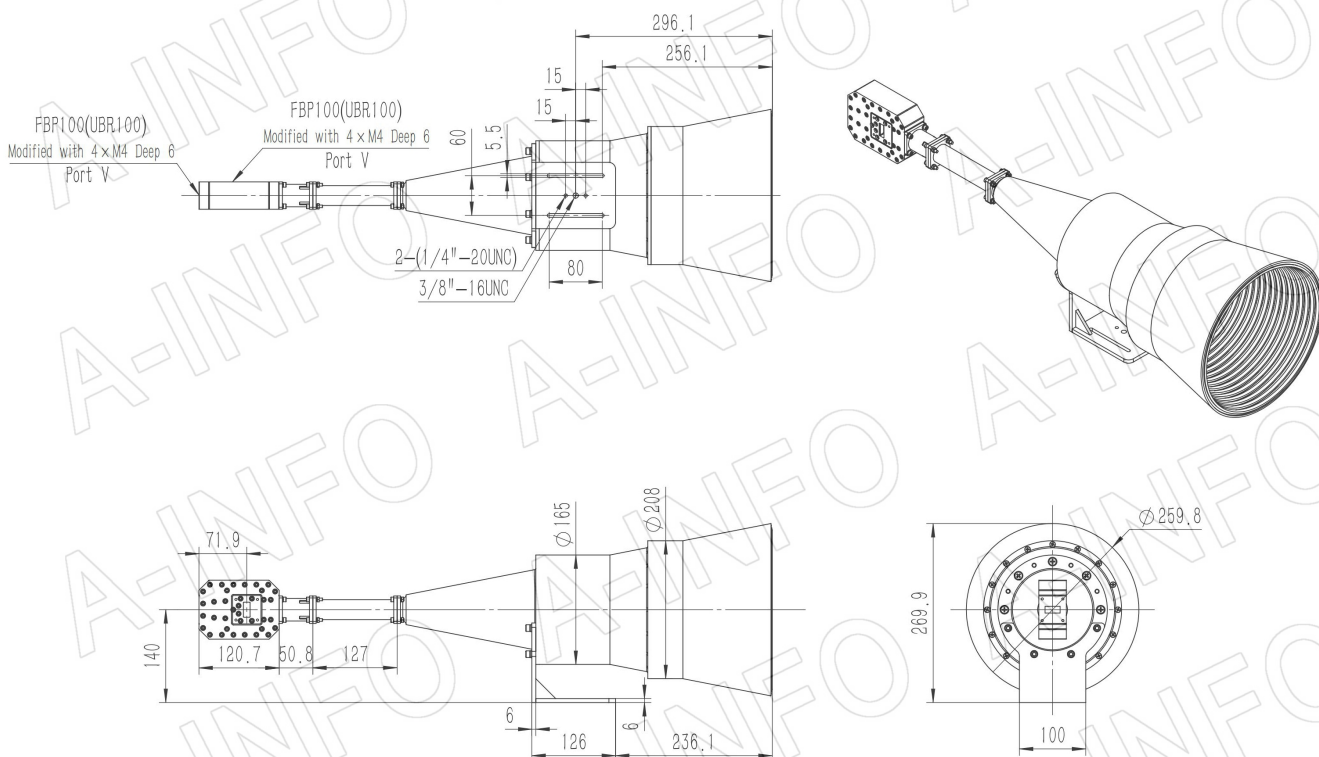
Fax: (+86) 10-6266-7379  
Fax: (+86) 28-8519-3068  
Fax: (+1) 949-639-9670

Website: [www.ainfoinc.com](http://www.ainfoinc.com)  
Email: [sales@ainfoinc.com](mailto:sales@ainfoinc.com)

## FBP100 Output with Round Mounting Bracket (Option, P/N: LB-CNH-90-25-MB)

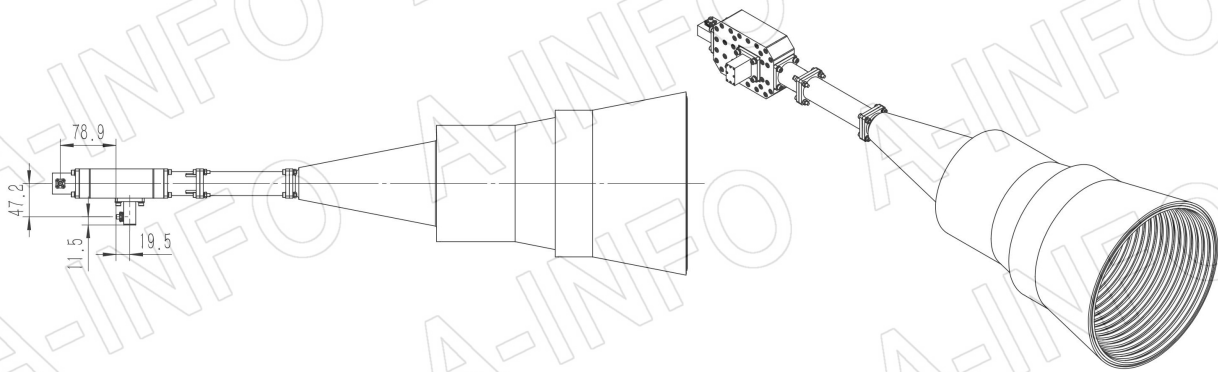
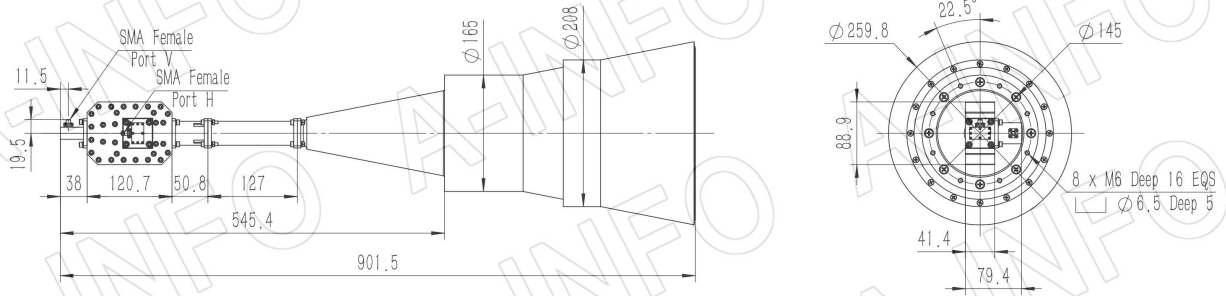


## FBP100 Output with L Type Mounting Bracket (Option, P/N: LB-CNH-90-25-L)



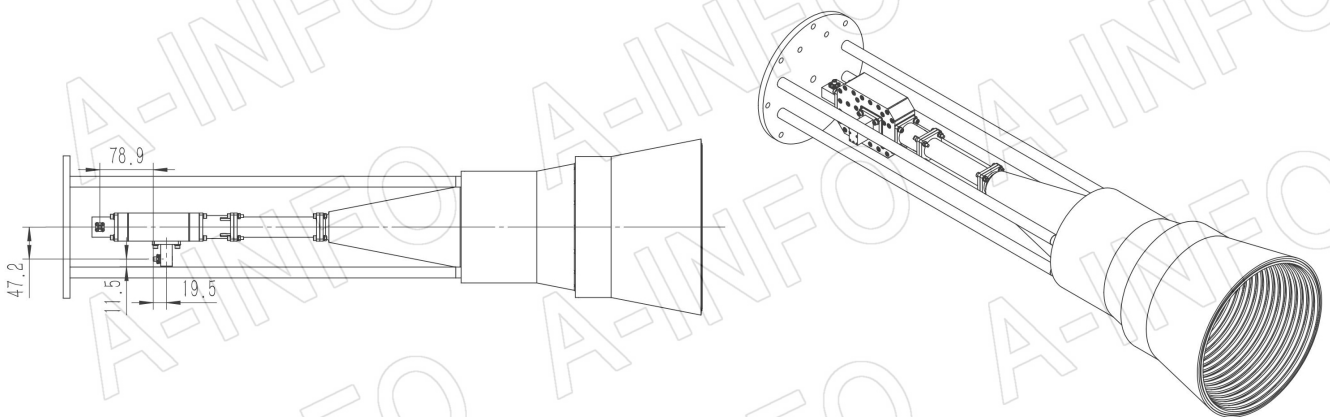
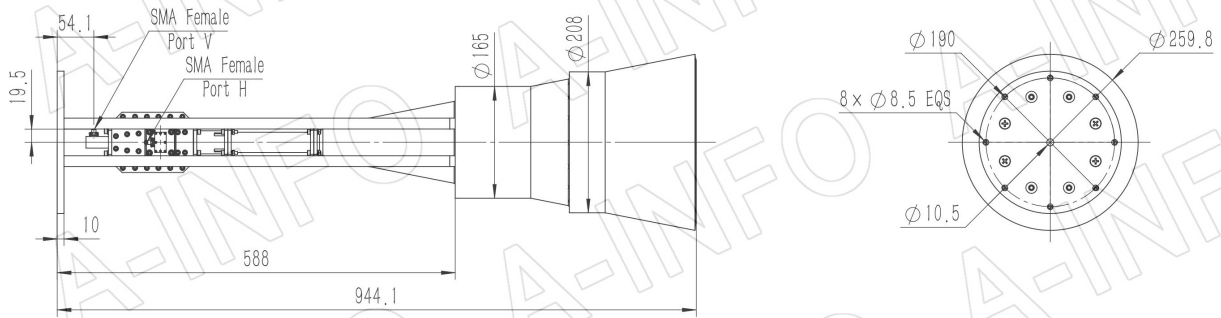
## SMA-Female Output (P/N: LB-CH-90-25-D02-C-SF)

For N-Female, TNC-Female, 7mm or 3.5mm-Female output outline drawing, please contact A-INFO.



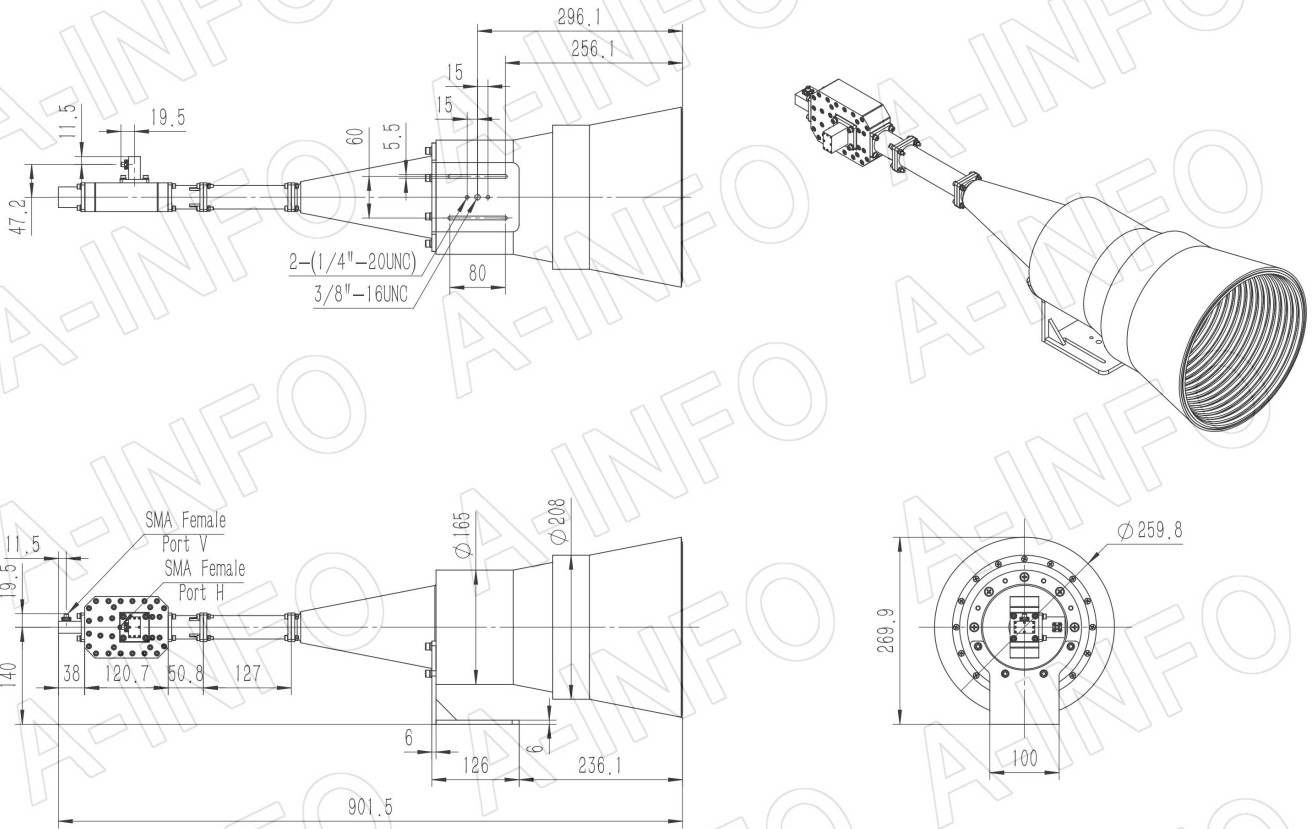
## SMA-Female Output with Round Mounting Bracket (Option, P/N: LB-CNH-90-25-MB)

For N-Female, TNC-Female, 7mm or 3.5mm-Female output outline drawing, please contact A-INFO.

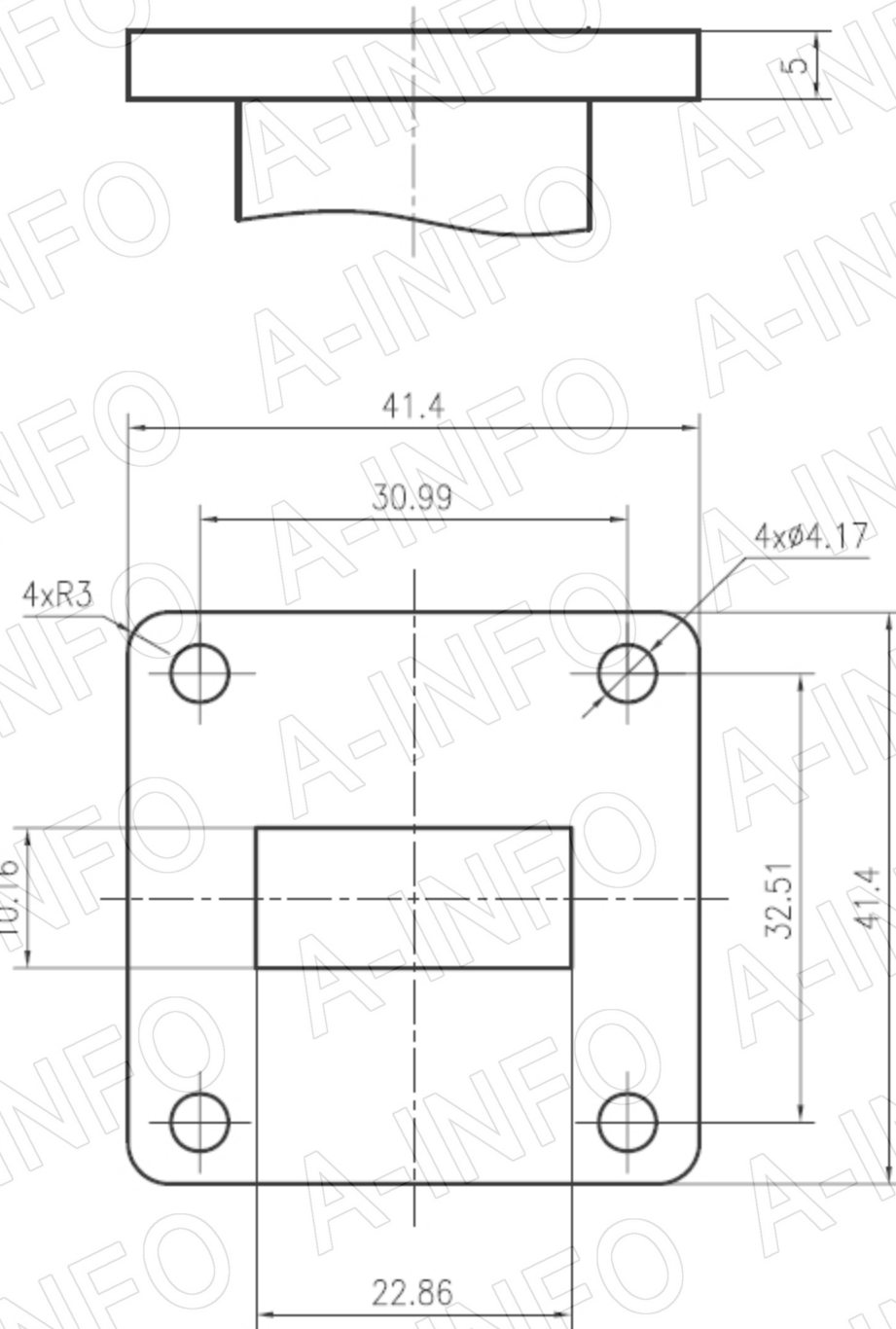


SMA-Female Output with L Type Mounting Bracket (Option, P/N: LB-CNH-90-25-L)

For N-Female, TNC-Female, 7mm or 3.5mm-Female output outline drawing, please contact A-INFO.



## Flange Drawing (Size: mm)



**FBP100**

### AINFO Inc.

China(Beijing): Tel: (+86) 10-6266-7326,  
China(Chengdu): Tel: (+86) 28-8519-2786,  
USA: Tel: (+1) 949-639-9688,

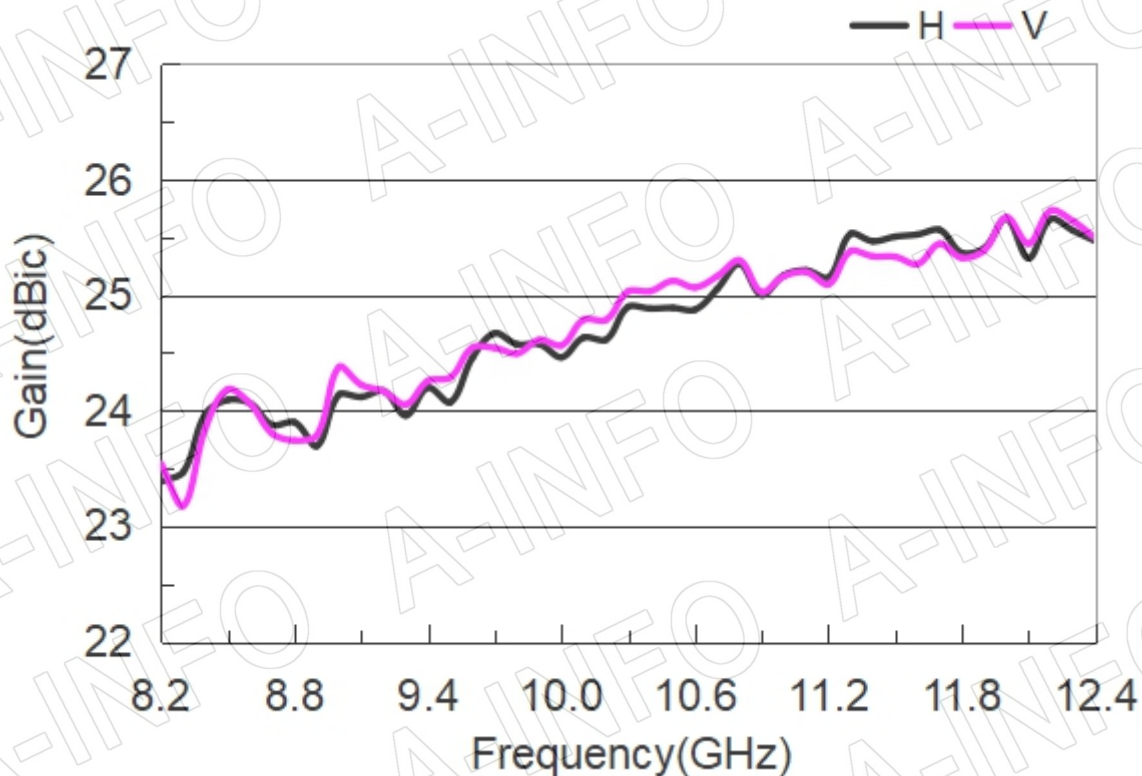
Page 5 of 13

(+86) 10-6266-7327 Fax: (+86) 10-6266-7379  
(+86) 28-8519-3044 Fax: (+86) 28-8519-3068  
(+1) 949-639-9608 Fax: (+1) 949-639-9670

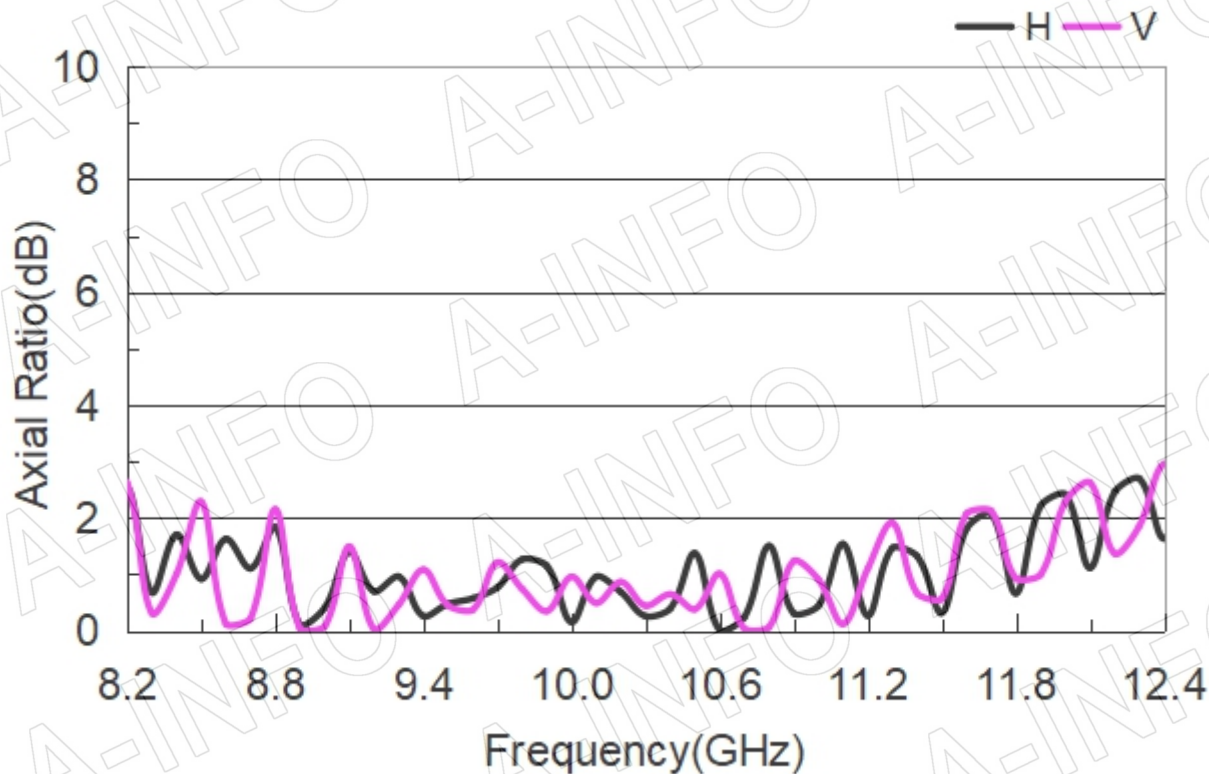
Website: [www.ainfoinc.com](http://www.ainfoinc.com)  
Email: [sales@ainfoinc.com](mailto:sales@ainfoinc.com)

## Test Results

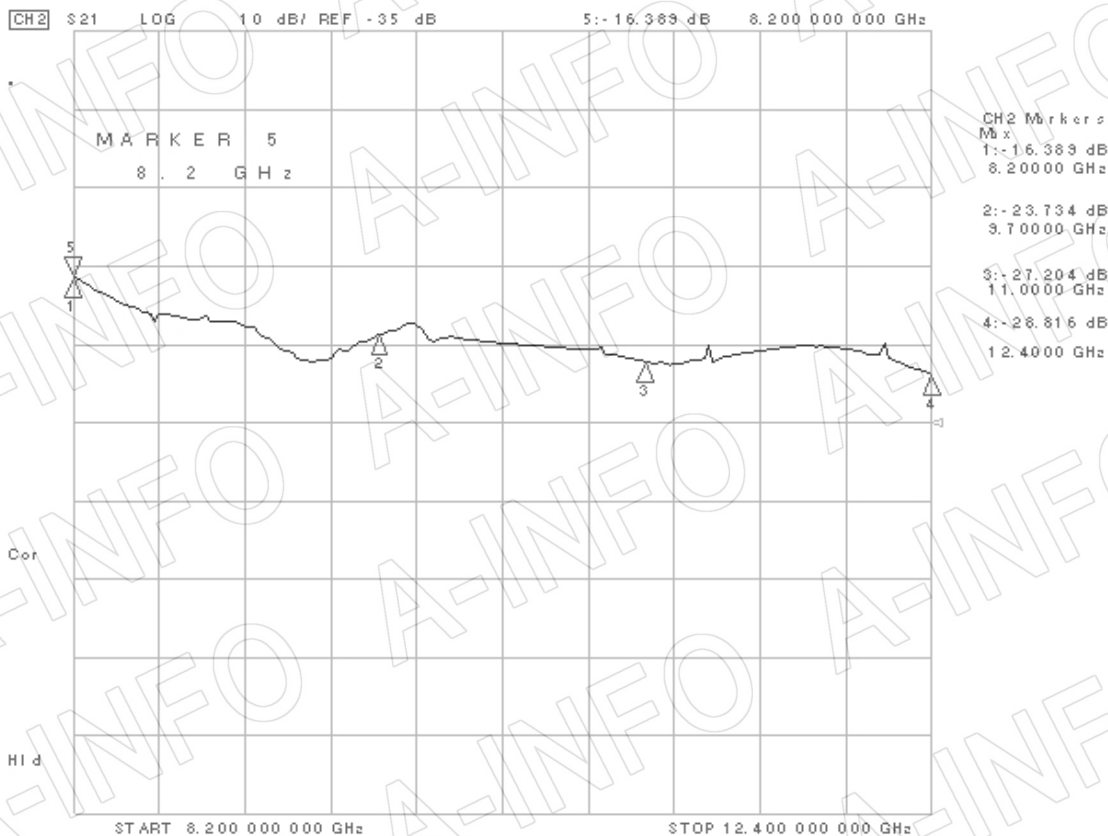
### 1. Gain



### 2. Axial Ratio

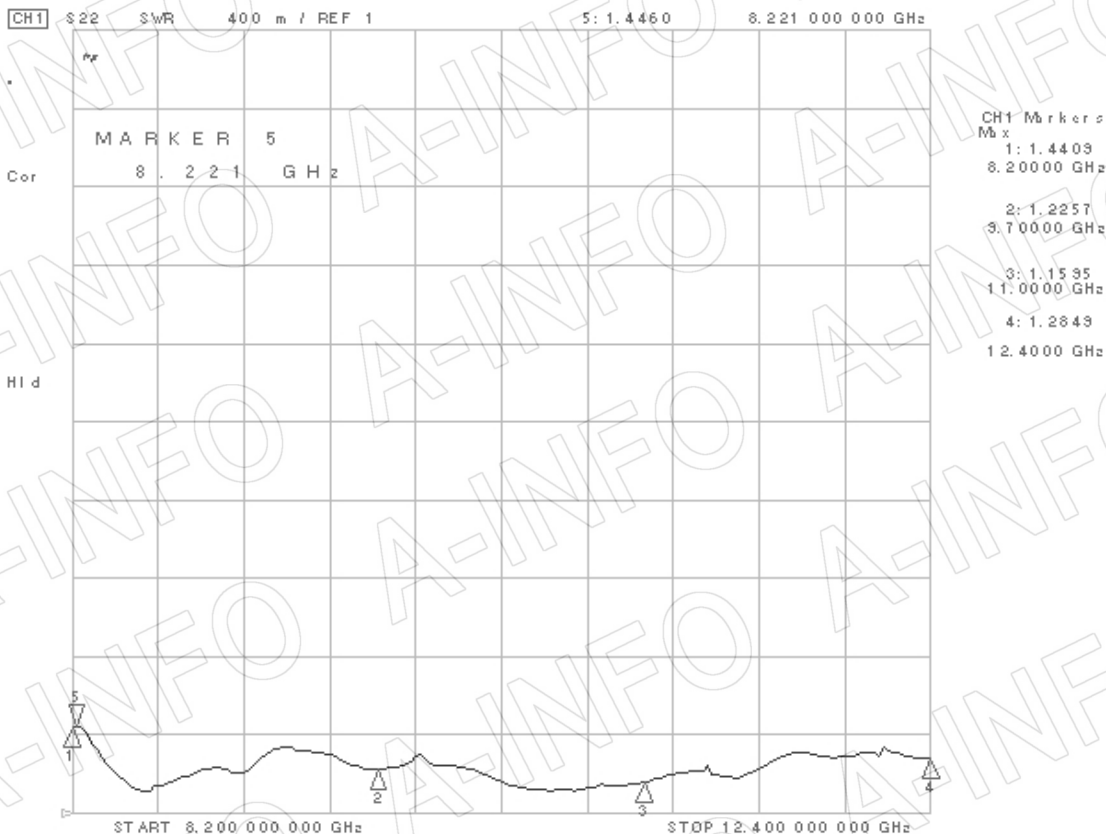


### 3. Port to Port Isolation

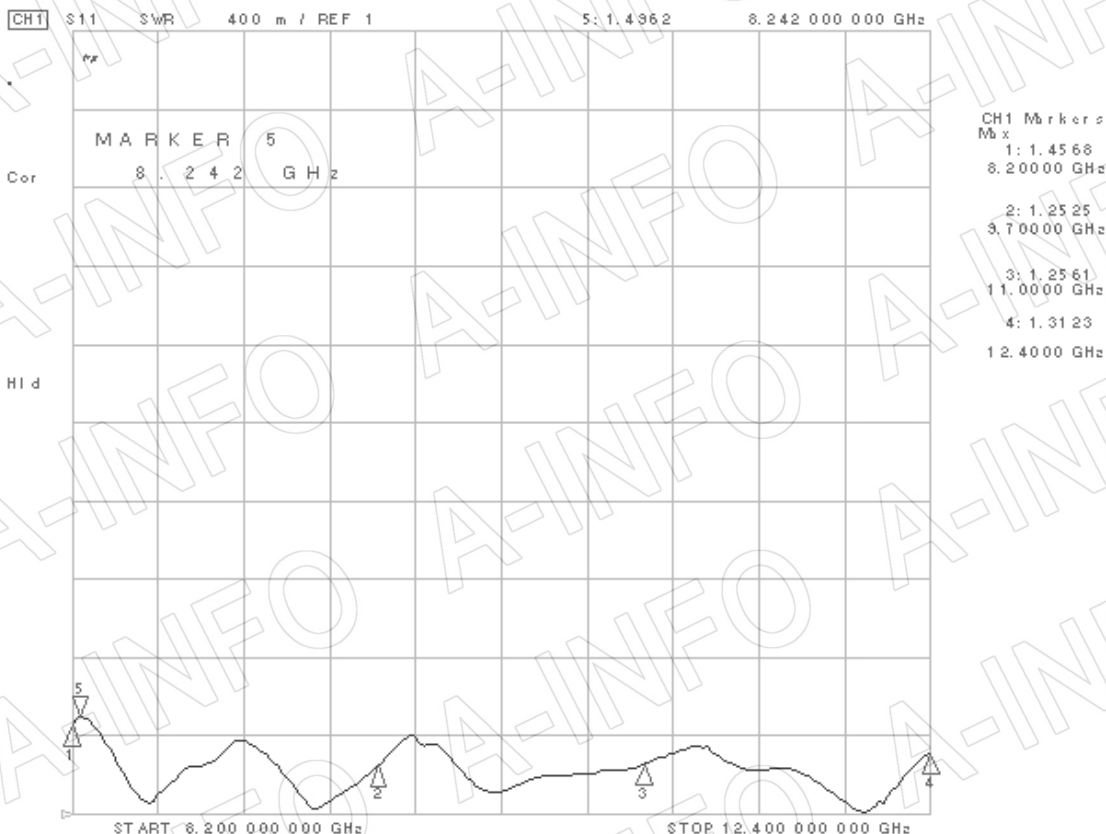


## 4. VSWR\_A Type

### Port-H



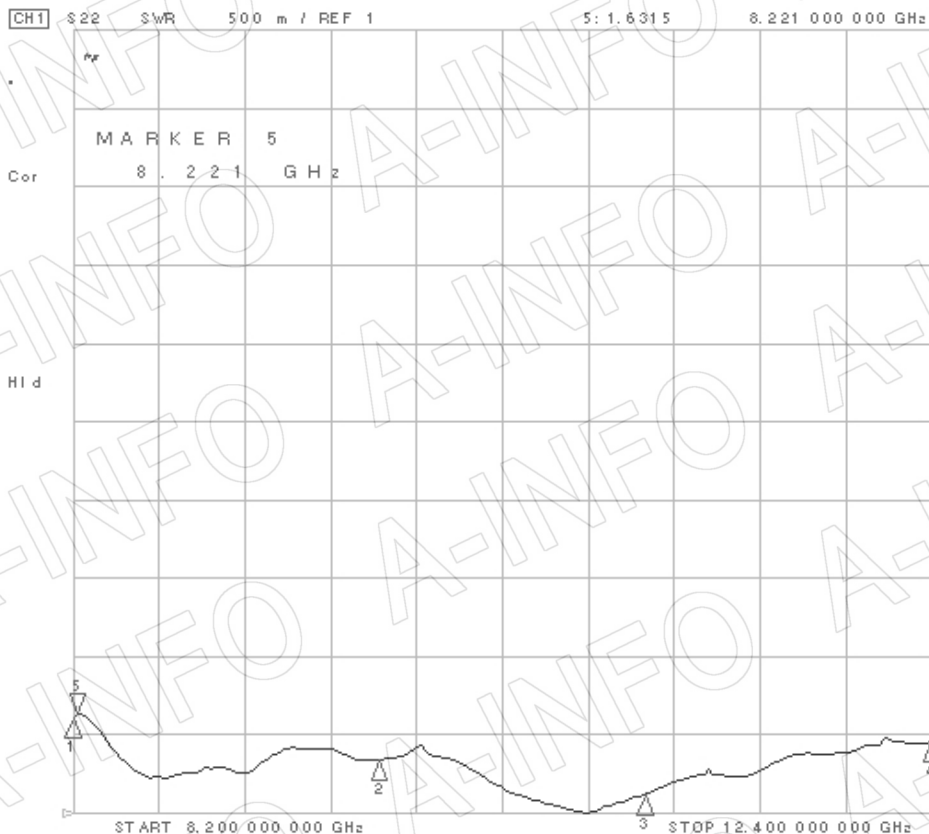
### Port-V



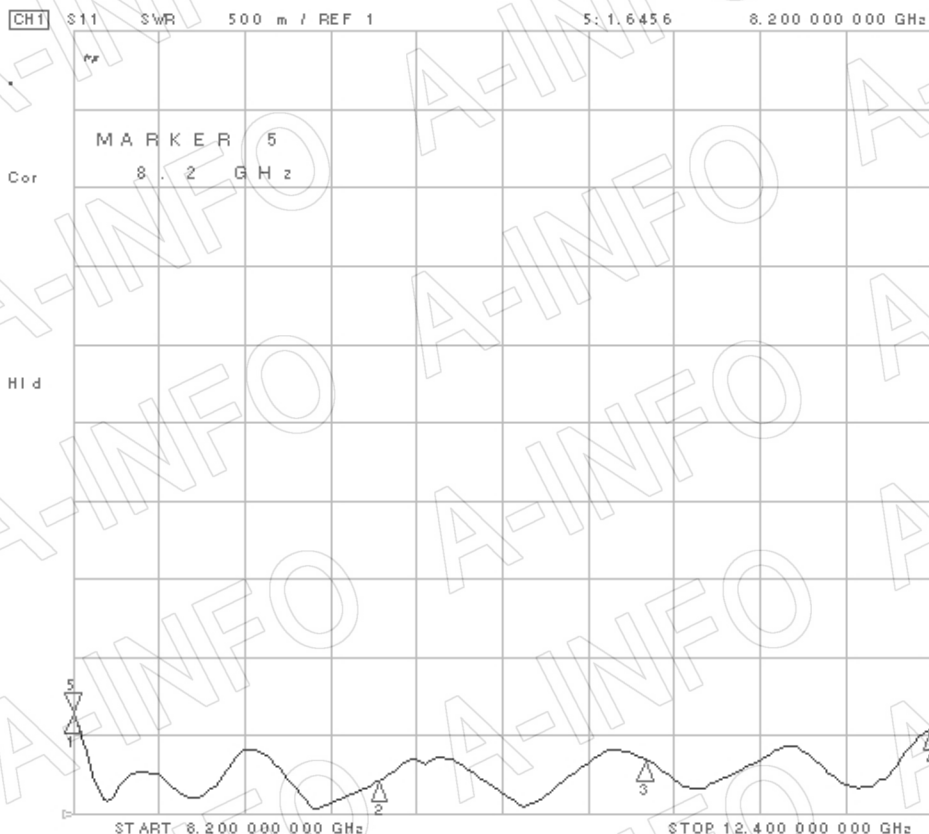


## VSWR\_C Type

### Port-H

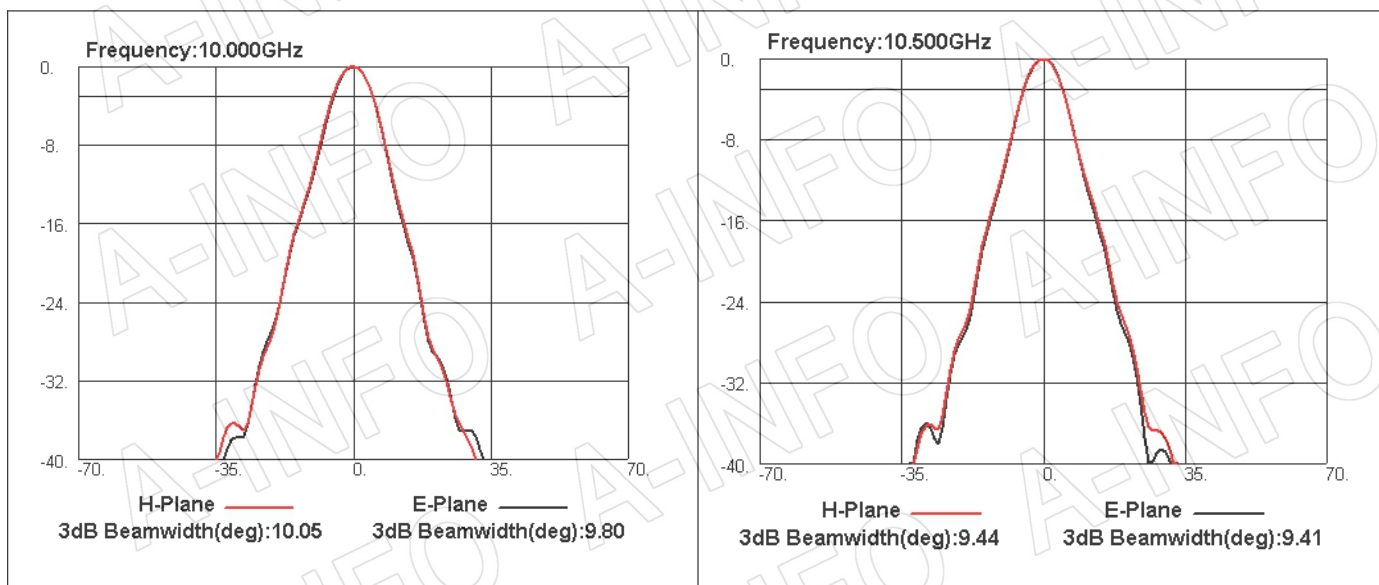
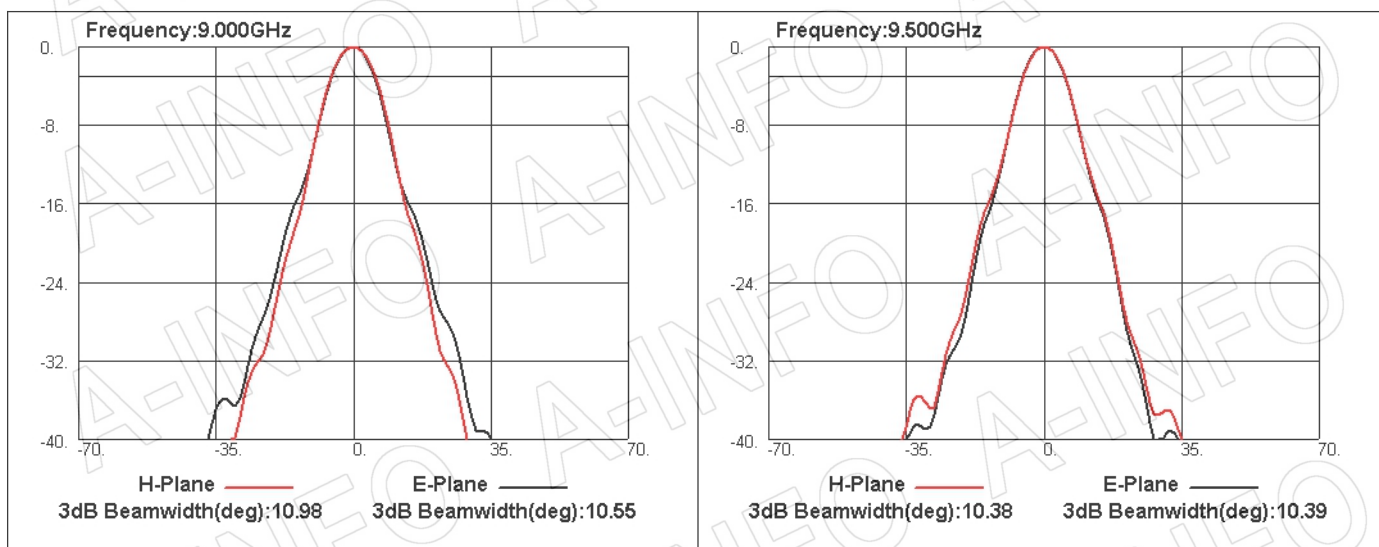
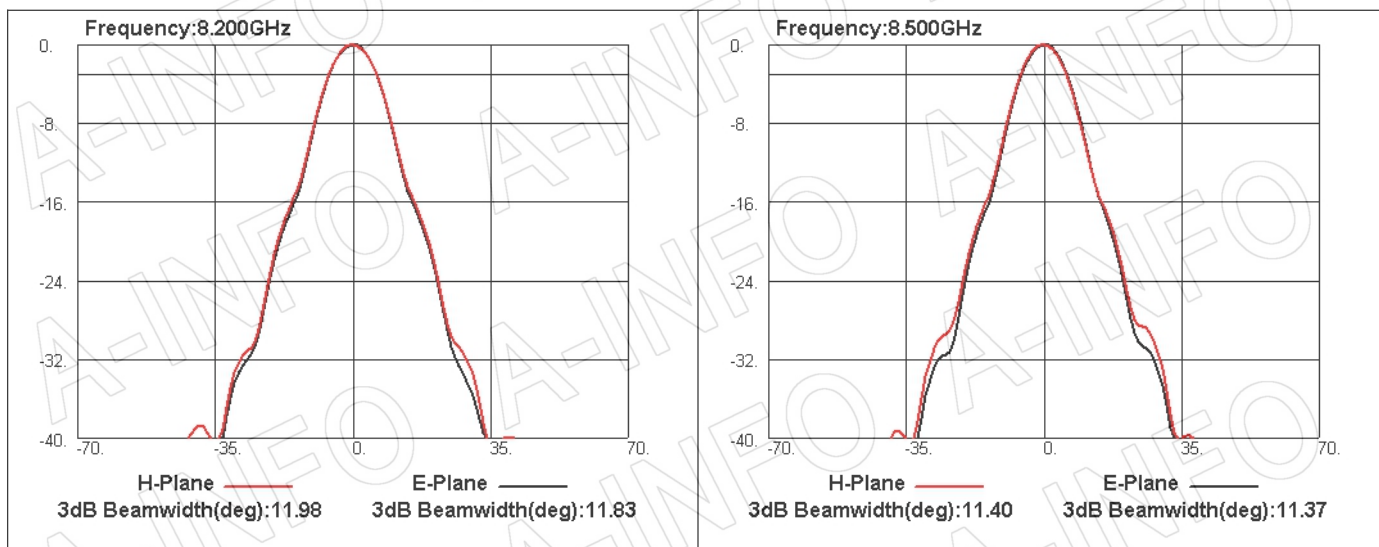


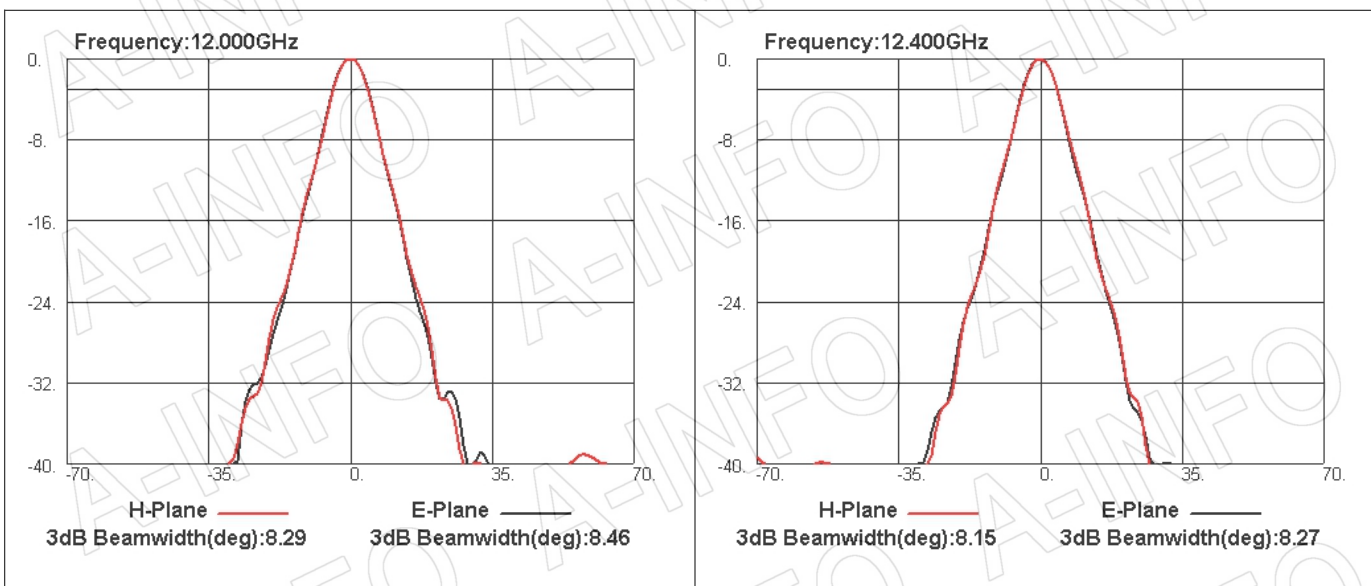
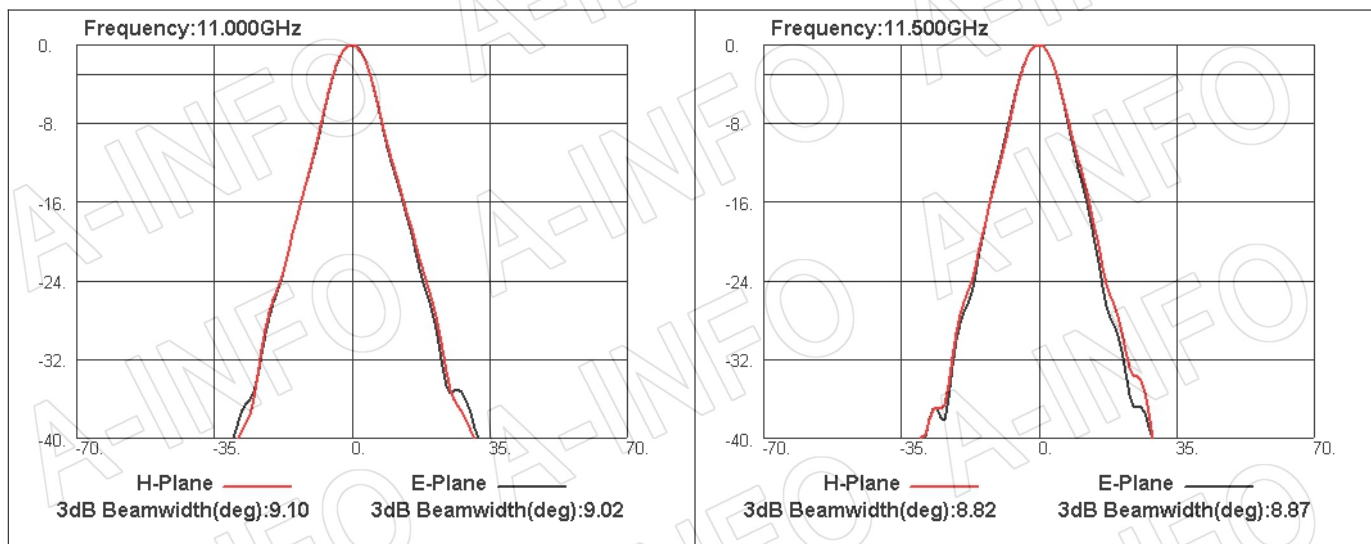
### Port-V



## 5. Pattern

### Port-H





### Port-V

